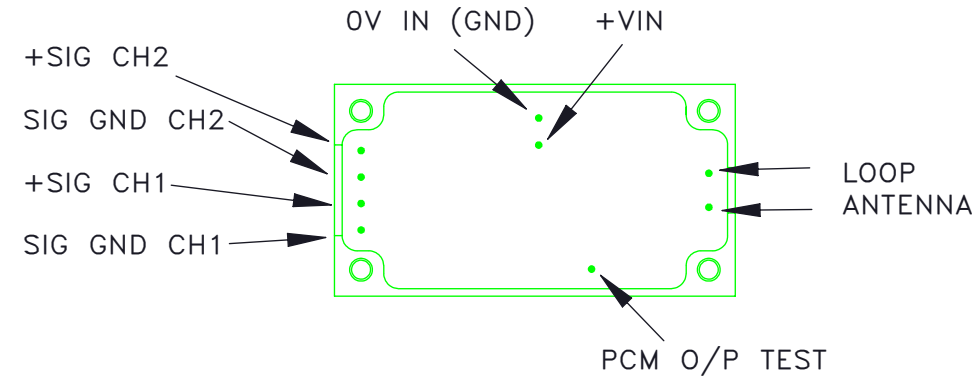


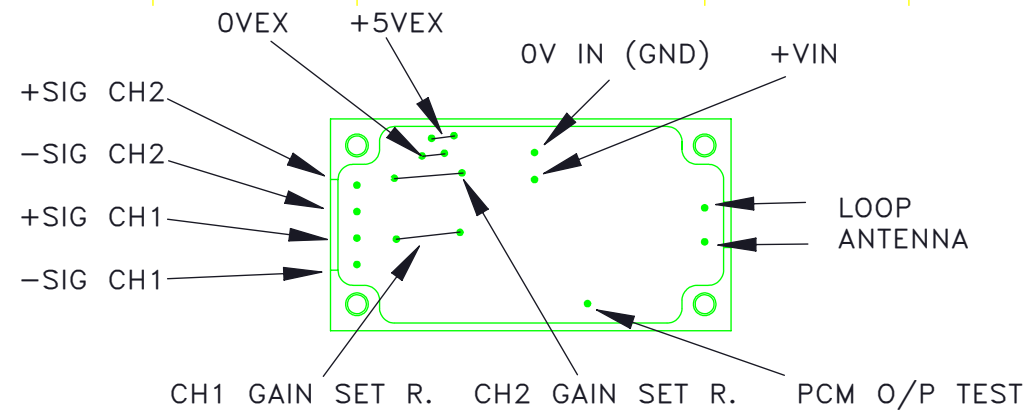
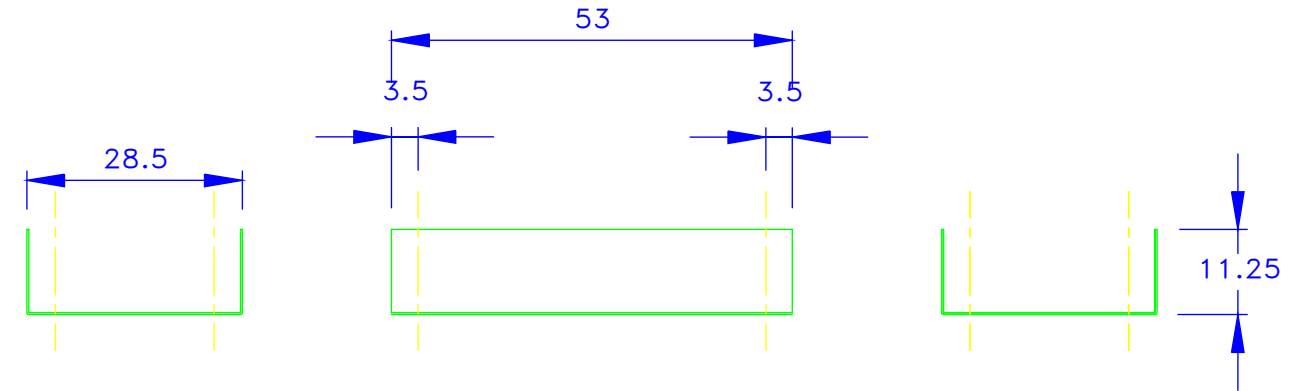
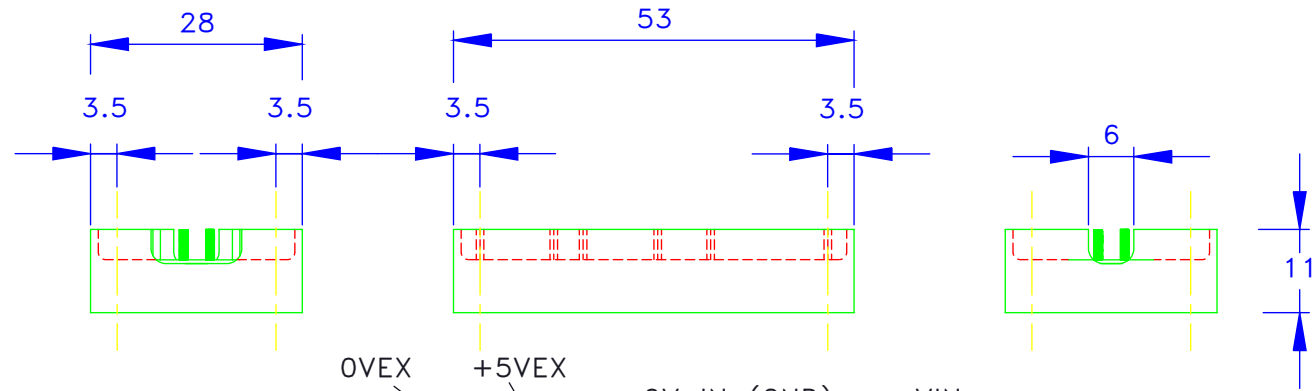
MOUNTING HOLES:
4 x M3 TAPPED
OR
4 x 3.5mm DIA
CLEARANCE
WHEN USED WITH
BASEPLATE



MOUNTING HOLES:
4 x M3 TAPPED
OR
4 x 3.5mm DIA
CLEARANCE
WHEN USED WITH
BASEPLATE

TRANSMITTER TX31D/1/IFM

TRANSMITTER TX31D/2/IFM/TC



MOUNTING HOLES:
4 x M3 TAPPED
OR
4 x 3.5mm DIA
CLEARANCE
WHEN USED WITH
BASEPLATE

THROUGH HOLES:
4 x 3.5mm DIA
CLEARANCE

TRANSMITTER TX31D/2/IFM

TX31 SIZE SCREENING COVER

A3	ASTECH ELECTRONICS LTD.	
TITLE: TX31 Transmitters Dimensions		
8/8/2005	VERSION 1.0	CHECKED: KMB